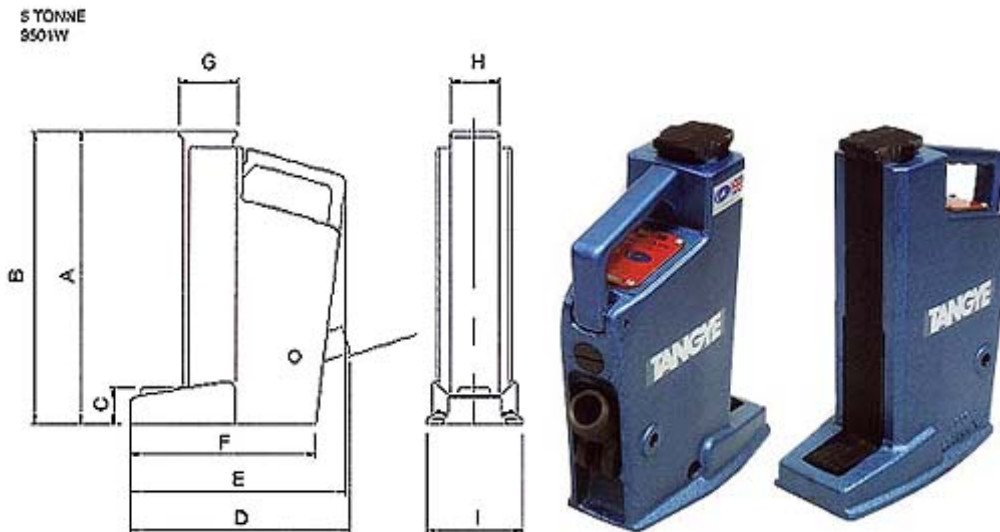


# Lightweight Jacks and Pumps

## Hydraclaw

- **Powerful** - 5 tonne capacity on head or toe
- **High lift** - 178mm
- **Fast Operation** - 5.5mm lift per stroke
- **Stable** - substantial base offers stability under load
- **Versatile** - horizontal or vertical operation
- **Safe** - positive stop feature prevents over-stroking, pressure relief valve prevents overloading
- **Ease of Operation** - lifting/lowering controlled smoothly by operating lever, acceptable lever effort
- **Low Clearance** - 41mm
- **Reliable** - jack hydraulics are totally enclosed
- **Robust Construction** - can withstand rough treatment, ferrous construction has led to its extensive use underground

Dimensions	mm	ins
A	327	12.87
B	505	19.88
C	41	1.625
D	258	10.15
E	255	10.04
F	219	8.6
G	63.5	2.5
H	57	2.25
I	114.3	4.5
SPECIFICATIONS		
Capacity	5 Tonnes	5.00 Tons
Lever Weight	3.63 kgs	8 lbs
Jack Weight (inc. Oil)	18 kgs	40 lbs
Lift Per Stroke	5.5 mm	0.21 ins
Max. Handle Effort	45 kgf	99 lbf



### HoistQuip Ltd

Cartmel Drive  
Harlescott Industrial Estate  
Shrewsbury  
Shropshire  
England

T 01743 446666  
F 01743 442448  
enquiries@hoistquip.co.uk  
www.hoistquip.co.uk