

Roll Forward Skip

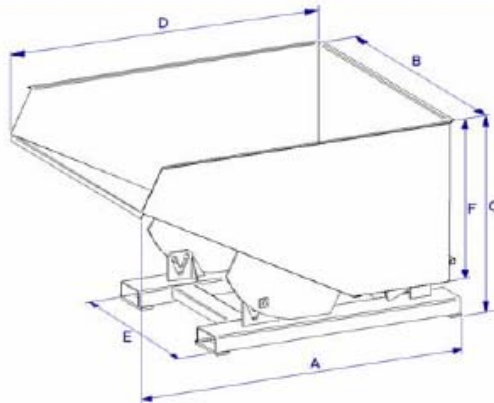
Our Best selling skip, This skip can be used for a wide variety of applications and therefore makes it a popular choice for waste handling.



Use:-

Designed to be placed in production areas, Roll forward Skips keep working areas clear and allow safe and speedy removal of scrap or rubbish to the appropriate skip or waste collector. All CONTACT skips have unique twin locks and simple to operate release mechanism

Model Ref.	Volume	Capacity	A	B	C	D	E	F
RFS25L	0.25m ³	1000 kg	1148 mm	794 mm	678 mm	1025 mm	890 mm	547 mm
RFS40L	0.40m ³	1000 kg	1410 mm	794 mm	781 mm	1197 mm	890 mm	547 mm
RFS80L	0.80m ³	1000 kg	1480 mm	1300 mm	834 mm	1325 mm	890 mm	600 mm
RFS120L	1.20m ³	1250 kg	1710 mm	1300 mm	985 mm	1540 mm	890 mm	750 mm
RFS160L	1.60m ³	1500 kg	1710 mm	1700 mm	985 mm	1540 mm	890 mm	750 mm
RFS200L	2.00m ³	1500 kg	1710 mm	2125 mm	985 mm	1540 mm	890 mm	750 mm



Optional Extras

C - Standard Castors
 BC - Braked Castors
 CIC - Heavy Duty Castors
 CIBC - Heavy Duty Braked Castors
 LL - Lifting Lugs
 F - Fork Clamps
 S - Security Chain
 D - Drain Tap
 AR - Auto Retention

Model Ref.	Weight	C of G Min	C of G Max	Load Centre
RFS25L	100 kg	542 mm	818 mm	595 mm
RFS40L	110 kg	598 mm	899 mm	679 mm
RFS80L	145 kg	667 mm	1042 mm	735 mm
RFS120L	170 kg	756 mm	1145 mm	835 mm
RFS160L	180 kg	768 mm	1178 mm	835mm
RFS200L	225 kg	792 mm	1181 mm	835 mm
RFS25L-HD	150 kg	555 mm	821 mm	595 mm
RFS40L-HD	162 kg	598 mm	899 mm	679 mm
RFS80L-HD	250 kg	673 mm	1048 mm	735 mm
RFS120L-HD	300 kg	762 mm	1151 mm	835 mm
RFS160L-HD	320 kg	774 mm	1184 mm	835 mm
RFS200L-HD	339 kg	798 mm	1187 mm	835 mm

Ordering Information :-

Product to be handled?
 Fork Width & Thickness?
 Fork Spread?
 Truck Capacity?
 Type of Working environment?

Maximum Fork Size 150 x 65 mm



HoistQuip Ltd
 Cartmel Drive
 Harlescott Industrial Estate
 Shrewsbury
 Shropshire
 England
 T 01743 446666
 F 01743 442448
 enquiries@hoistquip.co.uk
www.hoistquip.co.uk