

# Fork Mounted Hydraulic Scoop

The ideal scoop dedicated handling of sands and aggregates, hydraulic operation allows truck driver to remain seated at all times.



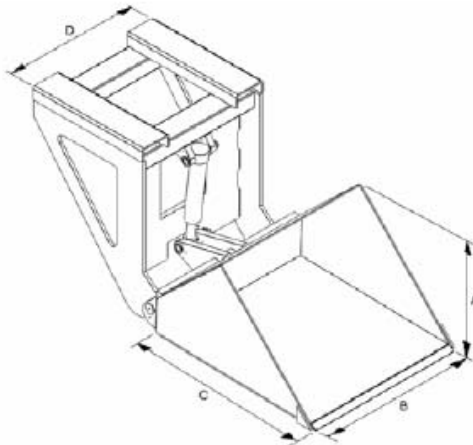
## Use :-

Fork mounted, hydraulically operated, calibrate by trading standards department. Requires auxiliary hydraulic valve on truck to operate.

Model Ref.	Volume	Capacity	A (bucket height)	B (bucket width)	C (bucket length)	D (pocket length)
FMS 20H	0.20m <sup>3</sup>	300 kg	505 mm	800 mm	930 mm	645 mm
FMS 40H	0.40m <sup>3</sup>	600 kg	608 mm	1000 mm	1170 mm	645 mm
FMS 50H	0.50m <sup>3</sup>	750 kg	608 mm	1250 mm	1170 mm	645 mm

## Ordering Information :-

Truck Capacity?  
Fork width & Thickness?  
Max fork spread?  
Product to be handled?  
Type of operation?  
Product Weight by volume?



Model Ref.	Weight	C of G Min	C of G max	Load Center
FMS 20H	200 kg	500 mm	762 mm	1016 mm
FMS 40H	253 kg	660 mm	922 mm	1031 mm
FMS 50H	310 kg	660 mm	922 mm	1031 mm

## Operation :-

To fit the attachment to the truck, slide the forks into the fork pockets until they are fully engaged. Pin the scoop behind the heel to retain the attachment on the forks.

To fill the bucket and pick up a load of material, the material should be approached with the bucket at ground level. The truck is driven carefully forward, with the mast as near upright as possible until the bucket fills. The forks can then be raised and the material transported as required.

## HoistQuip Ltd

Cartmel Drive  
Harlescott Industrial Estate  
Shrewsbury  
Shropshire  
England  
T 01743 446666  
F 01743 442448  
enquiries@hoistquip.co.uk  
www.hoistquip.co.uk