

Adjustable Four Fork Attachment

The safe solution for handling varying width wide loads



Use :-

Designed for use when handling extra wide loads where the pallet width varies or where the pallet bearer position varies substantially. The outer forks can be moved in or out to suit the variations in pallet or load.

Model Ref.	Capacity	Max Fork Width	Max Fork Thickness	Lost Load Center
AFFA-1.0	1000 kg	140 mm	50 mm	80 mm
AFFA-2.0	2000 kg	140 mm	50 mm	80 mm
AFFA-3.0	3000 kg	140 mm	50 mm	80 mm

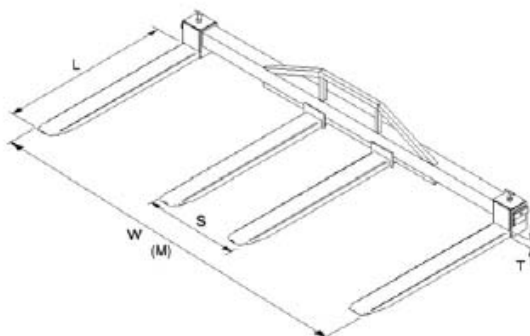
Ordering Information :-

- Product Size & Weight ?
- Type of Product ?
- Dimensions S, L, W and M?
- Ground Clearance of Product (T) ?
- Fork Width, length and thickness ?
- Truck Capacity?

This attachment is manufactured to suit individual trucks and applications. It is important that the information below is provided when ordering.



Model Ref.	W (maximum width)	M (minimum width)	L (Attachment fork length)	S (optimum truck spread)	T (Max fork thickness)
AFFA-1.0					
AFFA-2.0					
AFFA-3.0					



- Attachment fork length (L) must exceed truck fork length by more than 50%
- Maximum lateral adjustment is 1000mm



HoistQuip Ltd

Cartmel Drive
Harlescott Industrial Estate
Shrewsbury
Shropshire
England

T 01743 446666

F 01743 442448

enquiries@hoistquip.co.uk

www.hoistquip.co.uk