

Carriage Mounted Carpet Boom

The ideal solution for dedicated fork trucks handling carpets & other types of floor coverings.



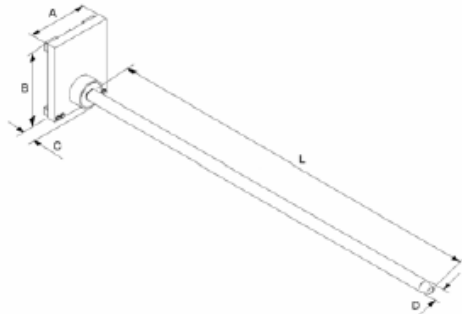
Use :-

A heavy duty range manufactured from high grade EN24T steel with fully threaded pole construction. Designed for handling carpets and all other types of floor covering or similar rolled materials. Mounts directly onto the carriage of the fork truck

Model Ref.	Class 2		Class 3		C	D	L	Capacity
	A	B	A	B				
CMBS70-2750	400 mm	500 mm	500 mm	600 mm	140 mm	70 mm	2750 mm	460 kg
CMBS70-3050	400 mm	500 mm	500 mm	600 mm	140 mm	70 mm	3050 mm	460 kg
CMBS70-3660	400 mm	500 mm	500 mm	600 mm	140 mm	70 mm	3660 mm	460 kg
CMBS75-2750	400 mm	500 mm	500 mm	600 mm	140 mm	75 mm	2750 mm	600 kg
CMBS75-3050	400 mm	500 mm	500 mm <td 600 mm	140 mm	75 mm	3050 mm	600 kg	
CMBS75-3660	400 mm	500 mm	500 mm	600 mm	140 mm	75 mm	3660 mm	600 kg
CMBS85-3050	400 mm	500 mm	500 mm	600 mm	140 mm	85 mm	3050 mm	700 kg
CMBS85-3660	400 mm	500 mm	500 mm	600 mm	140 mm	85 mm	3660 mm	700 kg

Ordering Information :-

- Truck capacity?
- Carriage Class?
- Type of product to be handled?
- Weight of product to be handled?
- Length of product to be handled?
- Bore diameter of product to be handled?



Model Ref.	Class 2		Class 3	
	Weight	C of G	Weight	C of G
CMBS70-2750	187 kg	656 mm	236 kg	520 mm
CMBS70-3050	197 kg	764 mm	245 kg	612 mm
CMBS70-3660	215 kg	995 mm	263 kg	811 mm
CMBS75-2750	200 kg	706 mm	248 kg	568 mm
CMBS75-3050	210 kg	820 mm	259 kg	665 mm
CMBS75-3660	231 kg	1061 mm	280 kg	877 mm
CMBS85-3050	240 kg	922 mm	289 kg	767 mm
CMBS85-3660	267 kg	1180 mm	316 kg	999 mm

- All booms can be fitted with "Quick-Mount" bottom hangers
- Booms for reach trucks also available

N.B. When specifying a boom for a reach truck, always check the under carriage clearance. When this is greater than 150 mm, the boom is mounted 305 mm lower in the backplate to allow carpets to be picked up at ground level.



HoistQuip Ltd
 Cartmel Drive
 Harlescott Industrial Estate
 Shrewsbury
 Shropshire
 England
 T 01743 446666
 F 01743 442448
 enquiries@hoistquip.co.uk
www.hoistquip.co.uk