

# Carriage Mounted Hydraulic Scoop

The ideal solution for fork trucks that are dedicated to scooping applications.



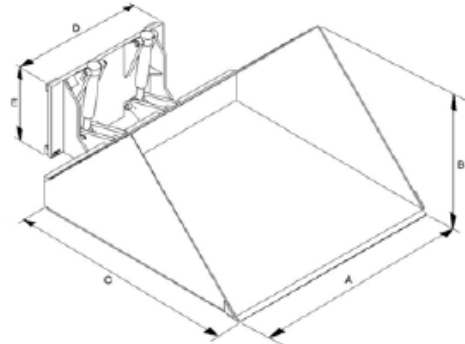
## Use :-

Hydraulically operated bucket with infinitely controllable discharge rate. Calibrate design with low service requirement. Fits directly onto the truck carriage.

Model Ref.	Volume	Min Truck Capacity	A (bucket height)	B (bucket width)	C (bucket length)	D	E
CMS 20H	0.20m <sup>3</sup>	1500 kg	505 mm	800 mm	840 mm	730 mm	500 mm
CMS 40H	0.40m <sup>3</sup>	2000 kg	608 mm	1000 mm	1100 mm	730 mm	500 mm
CMS 50H	0.50m <sup>3</sup>	2000 kg	608 mm	1250 mm	1100 mm	730 mm	500 mm
CMS 100H	1.00m <sup>3</sup>	2500 kg	850 mm	1500 mm	1500 mm	900 mm	500 mm

## Ordering Information :-

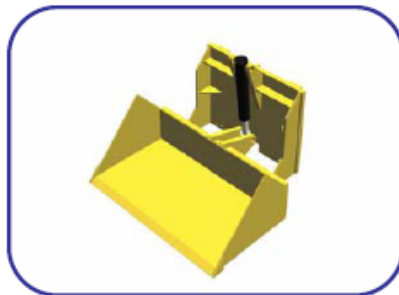
Truck Capacity?  
Carriage class?  
Product to be handled?  
Type of operation?  
Product Weight by volume?



Model Ref.	Capacity	Weight	C of G Min	C of G max	Load Center
CMS 20H	1000Kgs	160 kg	750 mm	1080 mm	1220 mm
CMS 40H	1500Kgs	180 kg	790 mm	1120 mm	1220 mm
CMS 50H	1500Kgs	190 kg	750 mm	1080 mm	1260 mm
CMS 100H	2000Kgs	230 kg	790 mm	1120 mm	1260 mm

## Operation :-

To fill the bucket, the material should be approached with the bucket at ground level. The truck is driven carefully forwards with the mast vertical, until the bucket fills. When picking up material such as sand or aggregate from a substantial heap, the attachment should not be driven directly into the heap. The approach should be at ground level, but the mast should be slowly raised as the truck is driven forwards so that the bucket runs up and fills off the angled face of the heap.



**HoistQuip Ltd**  
Cartmel Drive  
Harlescott Industrial Estate  
Shrewsbury  
Shropshire  
England  
T 01743 446666  
F 01743 442448  
enquiries@hoistquip.co.uk  
**www.hoistquip.co.uk**