

Carriage Mounted Paper Reel Tines

The ideal low cost solution for dedicated fork trucks handling rolls or coils in the horizontal position.



Use :-

This attachment is designed for the handling of horizontally positioned paper reels.

Model Ref.	Capacity	Carriage Class	A' Pole Length	B' Pole Spread Centers	C' Pole Diameter	D' Carriage Height
CPT-1	1000 kg	2			70 mm	512 mm

Ordering Information :-

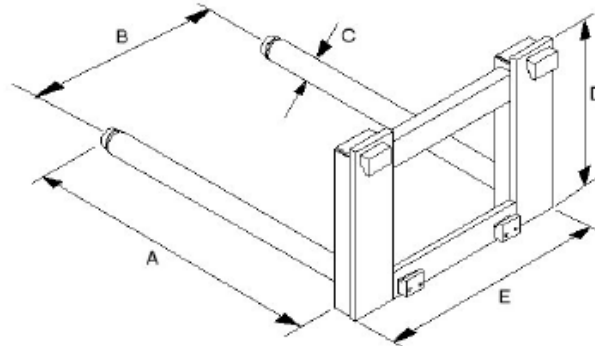
Diameter of Reel/Coil (max)?

Weight of Reel/Coil (max)?

Length of Reel/Coil (max)?

Carriage Class?

Truck Capacity?



Model Ref.	Weight	LLC	C of G
CPT-1		80 mm	

Operation :-

With the lower hangers removed and the poles resting on a raised surface, drive the fork truck slowly forwards until the top of the truck carriage plate contacts the backplate of the attachment just below the top hangers. Carefully raise the mast until the centralising lug on the attachment drops into the central castellation on the carriage plate and the top hangers fit snugly on the top of the carriage rail. The bottom hangers must then be bolted in position through the holes provided.

HoistQuip Ltd

Cartmel Drive
Harlescott Industrial Estate
Shrewsbury
Shropshire
England

T 01743 446666

F 01743 442448

enquiries@hoistquip.co.uk

www.hoistquip.co.uk