

Cement Hopper

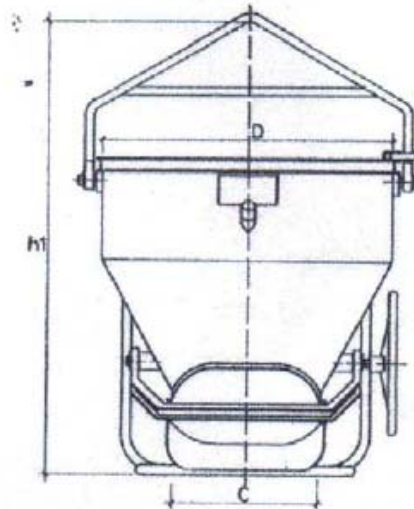
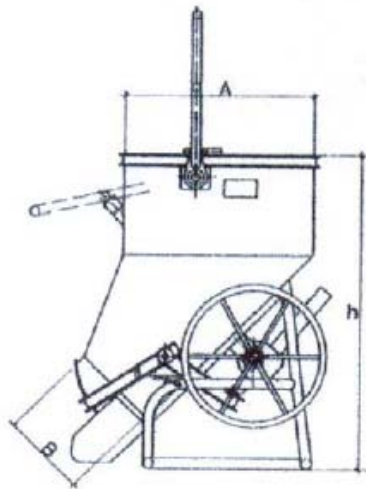
Ideal for transferring cement, mortar or concrete around construction sites.



Use:-

This attachment is designed for the transfer and discharge of cement, mortar, concrete or other granular material around construction/building sites. The contents can be poured in a controlled manner. The design also allows partial discharge.

Model Ref	Capacity	Weight	A	B	C	D	h	h1	Length	Width	Height
FCH-50CS	500 litres	188Kg	650mm	300mm	500mm	1000mm	1340mm	1815mm	995mm	1160mm	1275mm
FCH-80CS	800 litres	321Kg	800mm	350mm	700mm	1300mm	1290mm	1940mm	1270mm	1510mm	1230mm



The cement hopper can be lifted by either crane or by forklift truck using the 3 way entry base.

HoistQuip Ltd

Cartmel Drive
Harlescott Industrial Estate
Shrewsbury
Shropshire
England

T 01743 446666

F 01743 442448

enquiries@hoistquip.co.uk

www.hoistquip.co.uk